

Subject: Change of rudder control.

Effectivity: Sailplane Astir CS, work-no. 1180-1536.
Sailplane Astir CS 77, work-no. 1613-1679.
Sailplane Astir CS Jeans, work-no. 2001-2032.

Accomplishment: Next periodical inspection latest 28. 2. 78

Reason: Forcing the rudder hard against the stop (in case of gusts on the ground, pushing the sailplane by the rudder, loading the glider in the trailer), an overstressing of the rudder control is possible.

Material: We deliver
for sailplane Astir CS, work-no. 1180-1536
rudder control 102-4209
for sailplane Astir CS 77, work-no. 1613-1679 and
sailplane Astir CS Jeans, work-no. 2001-2032
rudder control 102-4933
3 hexagonal nuts M 6 LN 9348
1 hexagonal nut M 8 LN 9348.

Instructions:

1. Check if a clean control or a control with cutouts is mounted.
2. If a clean control is mounted, no change is necessary.
(picture 5, 5a)
3. If a control with cutouts is mounted, it has to be changed for the new control 102-4209 or 102-4933 as described in our instruction. The installation-instructions are then applicable.
4. The deflection of the rudder has to be checked in accordance to the manual and to be adjusted if necessary.

Weight and balance: no influence.

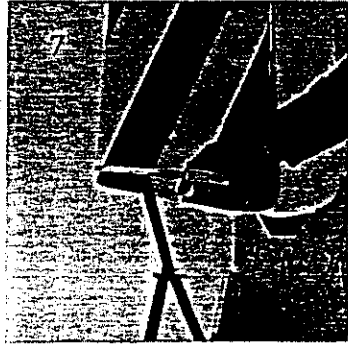
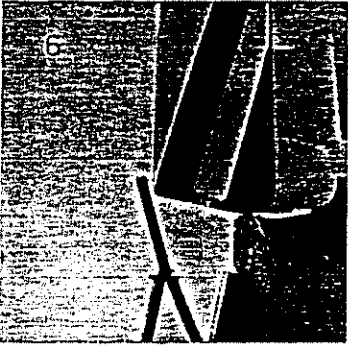
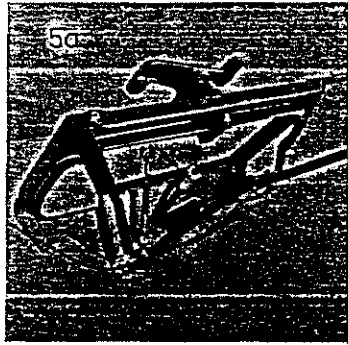
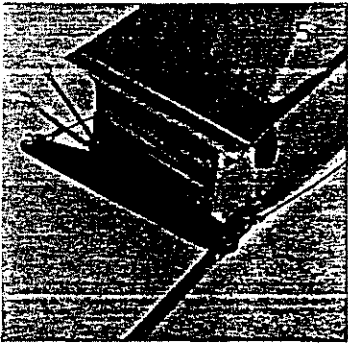
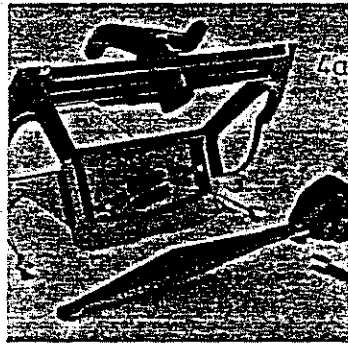
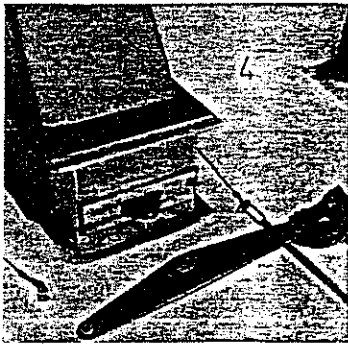
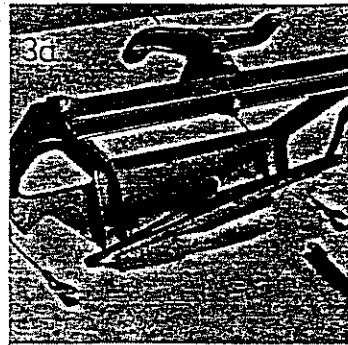
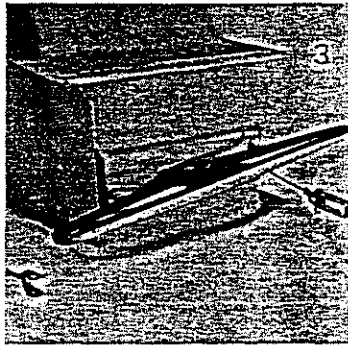
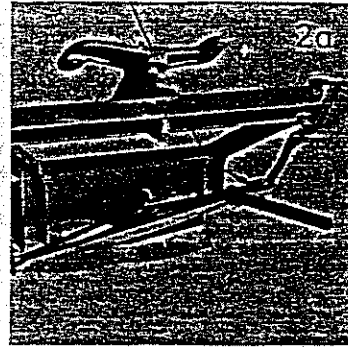
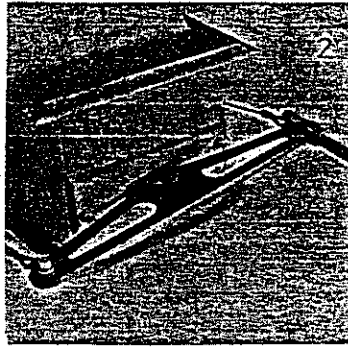
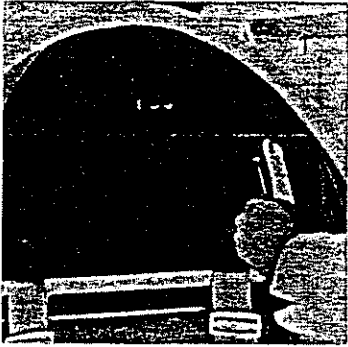
remarks: The proper carrying out of the mounting instructions is to be attested in the logbook by an inspector class III.

Mindelheim-Mattsies, 28th november 1977

LBA aus-Kannt
3.10.77

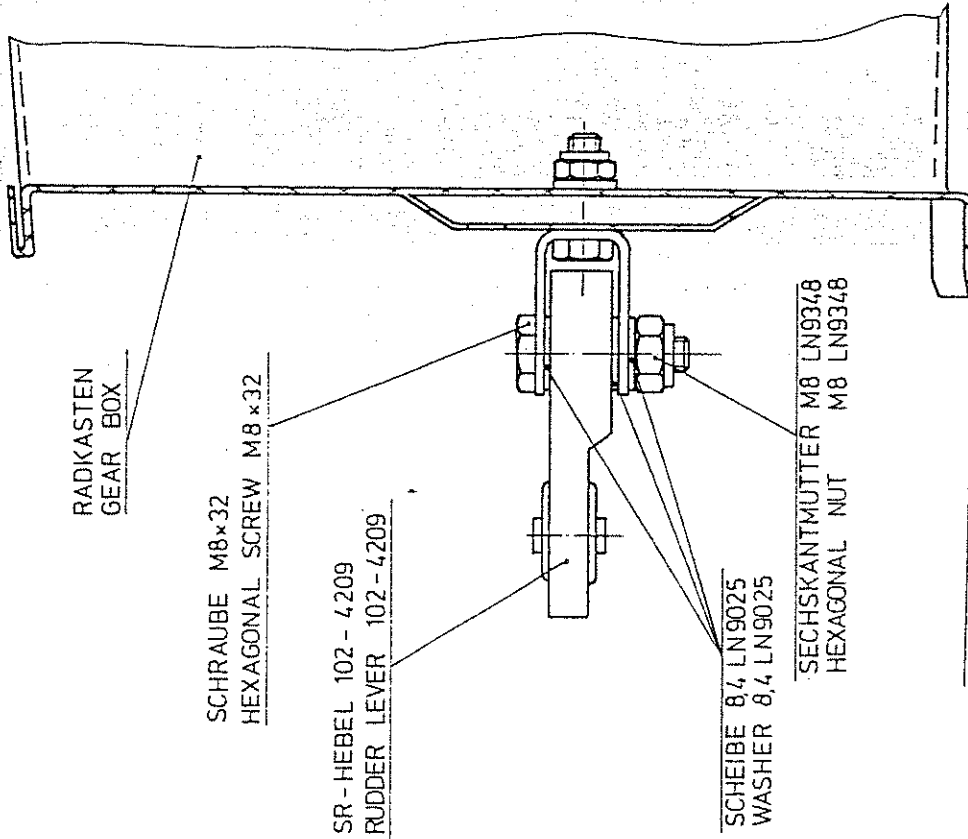
Installation instruction to change the rudder control

1. Derig the glider.
2. Fix the fuselage in place on a trailer-dolly or a trestle.
3. Take out the hatch behind the baggage compartment as the change of the rudder control must be done through the baggage compartment.
4. Fix the pedals in a retracted position, so that the springs are unloaded.
5. Detach the wire-rope on the left side from rudder control (picture 3, 3 a).
6. For Astir CS: Detach on the right side push-pull-rod with connected wire rope from the control.
For Astir CS 77 and Jeans: Detach the push-pull-rod and the separated wire rope from the control.
7. Take out the control.
8. Install new control (picture 4, 4 a).
9. Fix in place washer and spacer, as shown in the sketch.
10. Connect wire ropes and push-pull-rod again to the control. The hexagonal screw M 6 on the left side must be inserted from below (picture 2, 2 a and 5, 5 a).
11. Check if tools or foreign materials remain in the fuselage.
12. Check the deflection of the rudder. Set the pedals to Zero (to neutral) and mark the Zero (neutral) position behind the rudder (picture 6). Measure the deflection to the left and right side and compare with the statement on page 17 of the Manual.
13. If the deflections are outside the tolerances, the stops at the rear bulkhead or on the rear side of the undercarriage-box have to be readjusted. Turning in the screw leads to bigger deflections, turning out to lower deflections of the rudder.
14. The stop-screws must be secured by the locknuts.
15. Reinstall the hatch.
16. The proper carrying out of the measure must be attested in the logbook by an inspector Class III.



FLUGRICHTUNG
AHEAD

ASTIR CS 1180 — 1199
1300 — 1315



RADKASTEN
GEAR BOX

SCHRAUBE M8x32
HEXAGONAL SCREW M8x32

SR-HEBEL 102-4209
RUDDER LEVER 102-4209

SCHEIBE 8,4 LN9025
WASHER 8,4 LN9025

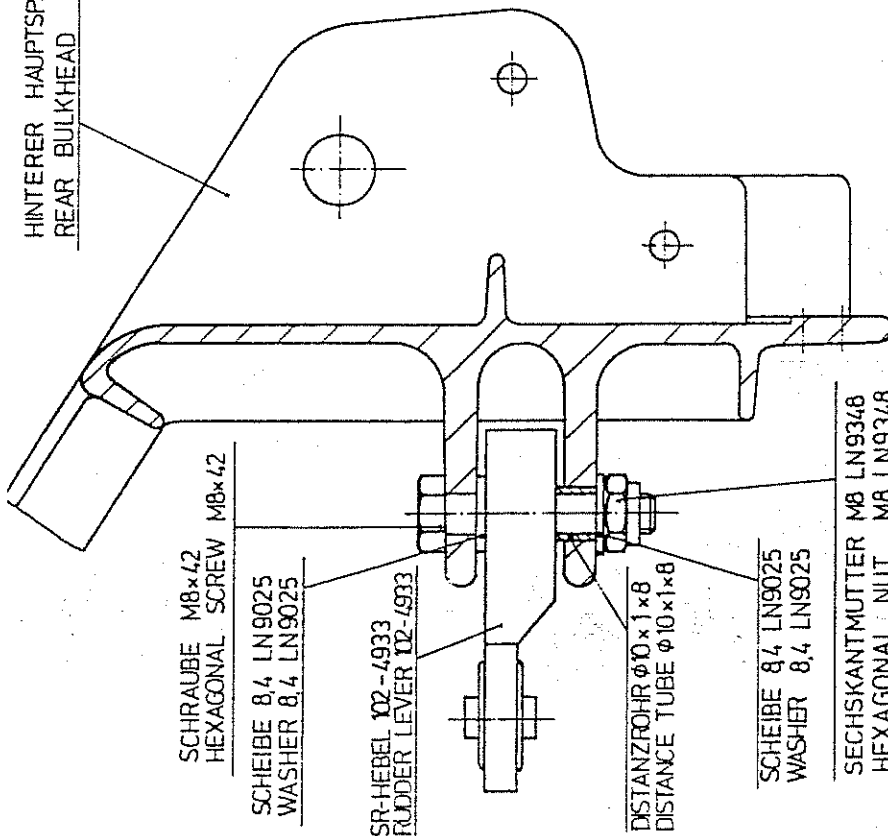
SECHSKANTMUTTER M8 LN9348
HEXAGONAL NUT M8 LN9348

RUMPFSCHALE UNTEN
LOWER STRUCTURE OF FUSELAGE

ASTIR CS 1200 — 1299
1316 — 1536
ASTIR CS 77
ASTIR CS JEANS

FLUGRICHTUNG
AHEAD

HINTERER HAUPTSPANT
REAR BULKHEAD



SCHRAUBE M8x42
HEXAGONAL SCREW M8x42

SCHEIBE 8,4 LN9025
WASHER 8,4 LN9025

SR-HEBEL 102-4933
RUDDER LEVER 102-4933

DISTANZROHR 10x1x8
DISTANCE TUBE 10x1x8

SCHEIBE 8,4 LN9025
WASHER 8,4 LN9025

SECHSKANTMUTTER M8 LN9348
HEXAGONAL NUT M8 LN9348

RUMPFSCHALE UNTEN
LOWER STRUCTURE OF FUSELAGE