



Technical Information TM 315-20

GROB G 103 "TWIN II"

GROB G 103 A "TWIN II ACRO"

Subject : Inspection and exchange of the slide at the front pedal unit.

Effectivity : Glider GROB G 103 "TWIN II" from serial number 3501 through 3689.  
Glider GROB G 103 A "TWIN II ACRO" from serial number 3544-K-1 through 3689-(K).

Accomplishment : Instruction 1 before next start.  
Instruction 2 until realization of instruction 3.  
Instruction 3 not later than October 31, 1982.

Reason : At the front pedal units of the mentioned serial numbers, slides were partially mounted which might break when overloaded.

Instructions : Instruction 1 :  
Inspection of the slide at the front pedal unit before next start. If the slide no. 103B-4208.10 (picture 1) with the wide, high cross-web is installed, there is no reason for reclamation. Instructions 1 and 2 are not applicable.  
  
If the slide no. 103-4208.10 (picture 2) with the small low cross-web is installed, instructions 2 and 3 have to be carried out.

Instruction 2 :  
Until realization of instruction 3, the slide at the right pedal suspension has to be inspected for cracks and deformations before each flight and the function of the pedal adjustment and the rudder control has to be checked. If there is any damage, instruction 3 has to be carried out before the next start. Until exchanged, when adjusting the pedals, the locking bar has to be relieved with the least possible power of the heel to the lower tube of the pedals.

Instruction 3 :  
The slide no. 103-4208.10 (picture 2) has to be exchanged against slide no. 103B-4208.10 (picture 1) not later than October 31, 1982. The necessary material for this purpose (see below) has to be ordered from the manufacturer with the attached order form and it has to be proceeded according

Datum

ersetzt Ausgabe vom

Bearbeitung

Seite



to repair instructions no. 315-20.

Material :  
1 slide no. 103B-4208.10 with 4 DU-bushes  
4 self-locking nuts M6, LN 9348  
2 self-locking nuts M5, LN 9348  
1 self-locking nut M4, LN 9348  
4 cotter pins 2 x 15 LN 94  
1 repair instructions no. 315-20

(Only written orders with serial number are accepted).

Weight and balance : No influence.

Remarks : The proper execution of the instructions has to be certified in the log-book by an authorized individual.

Mattsies, June 22, 1982

LBA-approved on

signed Dipl.Ing. H. Wilser

..... July 9, 1982 .....

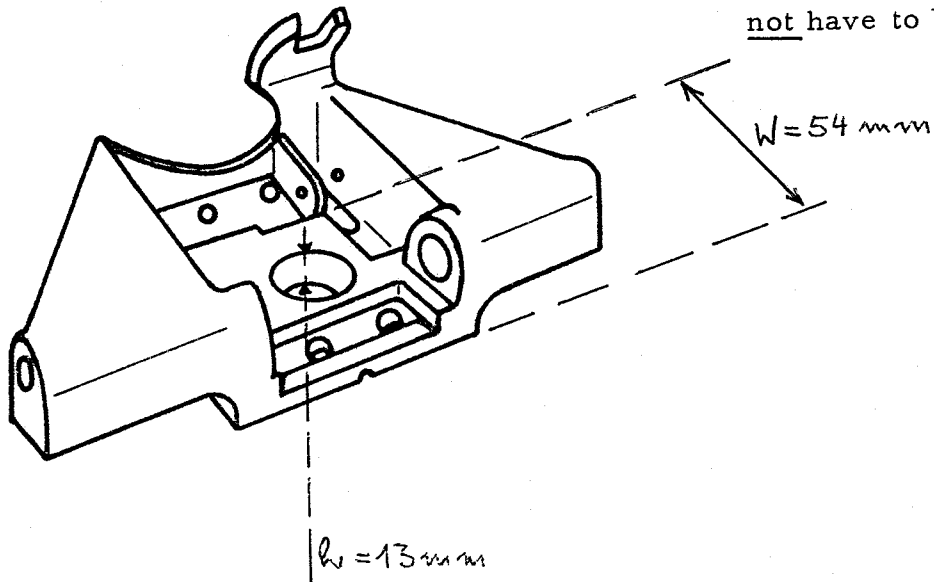
P.S. In case you have sold your aircraft meanwhile, we ask you kindly to give this information immediately to the new owner and to let us know his address.

Datum	ersetzt Ausgabe vom	Bearbeitung		Seite
-------	---------------------	-------------	--	-------

Picture 1 :

Slide no. 103B - 4208.10

This slide with wide, high cross-web is safe and does not have to be exchanged.



Picture 2 :

Slide no. 103 - 4208.10

This slide with small, low cross-web is rejected and has to be exchanged.

