



# SERVICE BULLETIN NO. MSB315-62

## I. TECHNICAL DETAILS

### 1.1 Category:

Mandatory

### 1.2 Airplanes affected:

TWIN ASTIR	S/N	3000 – 3291
TWIN ASTIR TRAINER	S/N	3088 – 3291 (with suffix „T“)
G 103 TWIN II	S/N	3501 – 3729
G 103A TWIN II ACRO	S/N	3544 - 34078 (with suffix „K“)
G 103C TWIN III ACRO	S/N	as of 34101
G 103C TWIN III	S/N	36001 - 36014

### 1.3 Time of Compliance:

Instruction 1.8.1 (inspection):

- inspection not later than 30 April 2002

Instruction 1.8.2 (replacement):

- immediately, if cracks had been detected
- not later than 30 September 2002

**Caution:** If the C of G release hook is removed IAW SB 315-35/2, an on-time inspection is sufficient. If the C of G release hook is installed again, the above listed compliance time is mandatory again.

### 1.4 Subject:

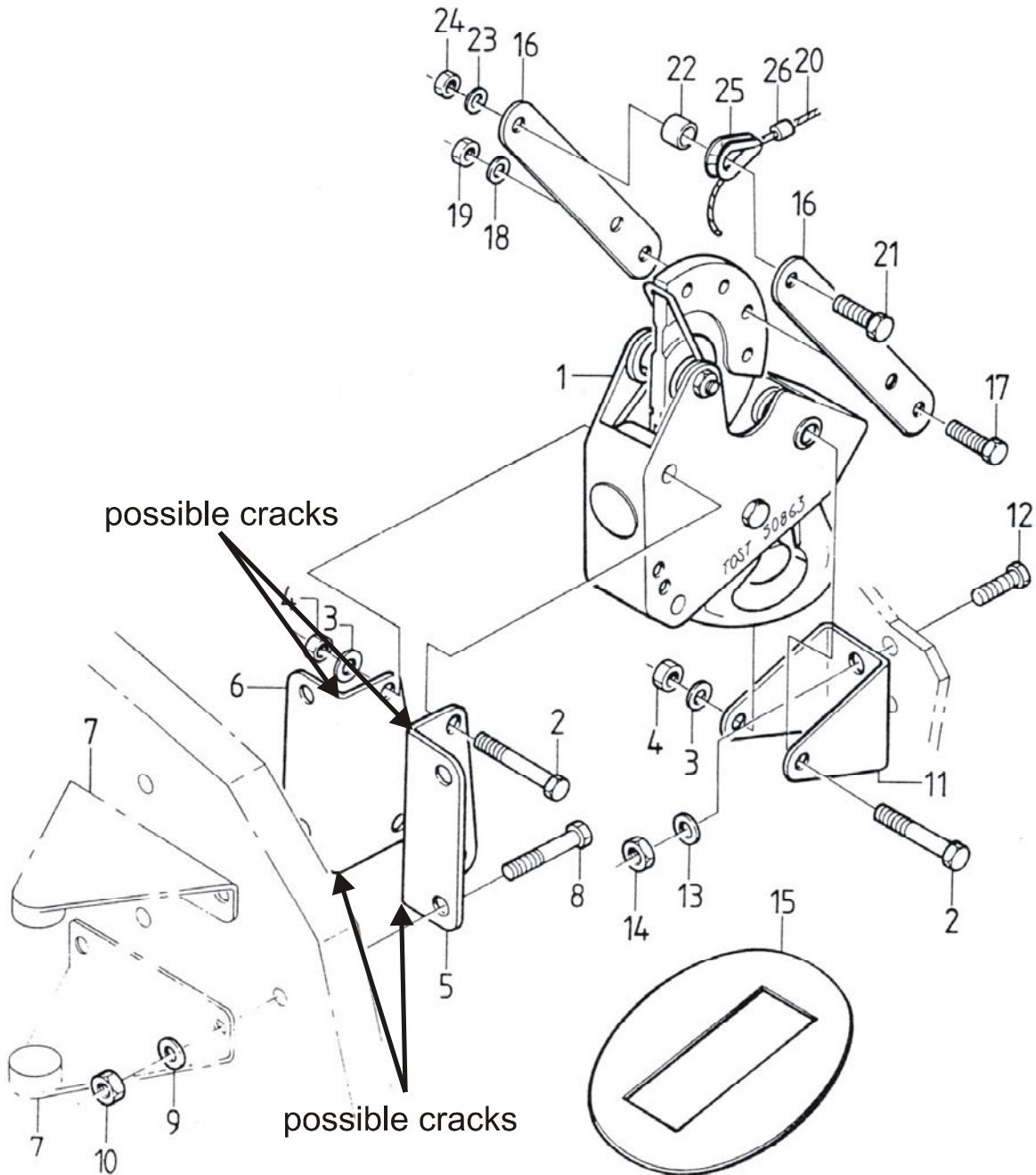
**ATA-Code:** N/A  
**C of G release hook**

### 1.5 Reason:

After long time of operation (i.e. towing using the C of G release hook) cracks at the forward C of G release hook attachment brackets might occur.

G 103A/B/C

**Caution:** Illustration below is only for G 103A TWIN II ACRO ! For other models a different arrangement is possible !



**1.6 Concurrent documents:**

N/A



### **1.7 Approval Note:**

These information or instructions relate to change no. 315-149 which has been approved under the authority of JAA Design Organisation Approval No. LBA.NJA.008.

The technical information contained in this document has been approved under the authority of JAA Design Organisation Approval No. LBA.NJA.008.

### **1.8 Accomplishment/ Instructions**

**1.8.1** The attachment brackets P/N 103-2235.03 and 103-2235.04 or 103B-2360.01 and 103B-2360.02 must be checked for cracks as follows:

- remove rear seat
- check the brackets for possible cracks, refer to illustration on page 2 (if necessary use mirror and pocket lamp)

**Caution:** If cracks are determined, replace the brackets immediately IAW 1.8.2 !

- install rear seat

**1.8.2** Both forward C of G release hook attachment brackets must be replaced as follows:

- remove rear seat
- remove L/H and R/H instrument panel cover
- remove **front** attachment of the C of G hook (item 2, 3, 4), loosen rear attachment (item 12, 13, 14)
- remove attachment brackets (page 2, item 5 and 6)
- install new brackets P/N 103B-2360.01/2 and 103B-2360.02/2

**Caution: On TWIN ASTIR and TWIN ASTIR TRAINER the additional plate P/N 103-2360.02 must be installed below the attachment brackets.**

**Note:** During installation the new locking nuts, included in the mod set, must be used.

- install and tighten all loosened connections and check for tight fit
- install L/H and R/H instrument panel cover
- install rear seat
- perform function test of the C of G release hook

### **1.9 Repetative Actions**

N/A

### **1.10 Mass (Weight) and CG:**

negligible



## **II. PLANNING INFORMATION**

### **2.2 Material & Availability:**

Mod set consisting of:

- 1 attachment bracket L/H 103B-2360.01/1
- 1 attachment bracket R/H 103B-2360.02/1
- 2 plates 103-2360.02 (**ONLY TWIN ASTIR AND TWIN ASTIR TRAINER!**)
- 6 nuts LN 9348-M6

can be ordered from GROB (for order refer to para 3.3)

### **2.3 Special Tools:**

N/A

### **2.4 Labour costs:**

- inspection: approx. 20 minutes
- replacement: approx. 2 hours

### **2.5 Reference documents:**

N/A

### **2.6 Credit:**

N/A

## **III. REMARKS**

- 3.1** The correct execution of the instructions may be performed by a competent person/ an authorised aviation workshop and has to be certified in the logbook by an authorised inspector.
- 3.2** If you have sold your aircraft in the meantime, would you kindly pass this information on to the new owner and forward his address and aircraft S/N to us.
- 3.3** For questions and assistance please contact:  
Rudi Vodermeier , Head of Product Support,  
phone: +49 8268 998139  
fax: +49 8268 998200  
e-mail: [productsupport@grob-aerospace.de](mailto:productsupport@grob-aerospace.de)

**G 103A/B/C**