



SERVICE BULLETIN OSB 315-70

I. TECHNICAL DETAILS

1.1 Category:

Optional

1.2 Aircraft affected:

G103A TWIN II ACRO S/N 3544 – 34078 with suffix "K"

1.3 Time of Compliance:

Optional, in case of repair

1.4 Subject:

ATA-Code: 27-30 Flight Controls - Elevator
Elevator Rod II, Part-No. 103A-4241

1.5 Reason:

The TWIN II ACRO was built with elevator rod II, Part-Number 103A-4241. The tubing material for this elevator rod is no longer available in the required length. With this optional Service Bulletin the installation of the alternate elevator rod II, PN 103A-4241/2, made from different material, is permitted.

1.6 Concurrent documents:

None

G103A TWIN II ACRO



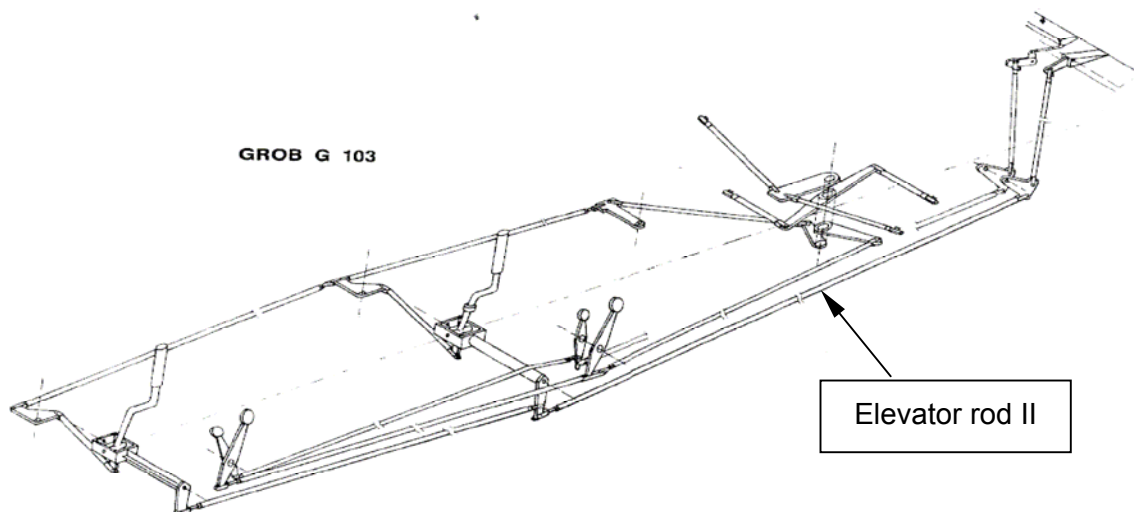
1.7 Approval Note:

This information or instructions relate to change no. OÄM315-026 which has been approved by the Authority of Design Organisation Approval No. EASA.21J.030.

The technical information contained in this document has been approved under the Authority of Design Organisation Approval No. EASA.21J.030.

1.8 Accomplishment / Instructions:

- 1.8.1. For spar parts order only elevator rod II, part number 103A-4241/2 with steel tubing dia.20 x 0,8 millimetres can be delivered. Because of that, the rod length and dimensions will not change.
- 1.8.2. A new weight and balance report must be generated and incorporated into the Flight Manual. For details see 1.10.



1.9 Repetitive Actions:

None



1.10 Mass (Weight) and CG:

The new elevator rod 103A-4241/2 is 0,73kg (1,60 lbs) heavier. After installation the empty weight as well as the centre of gravity of the glider will change.

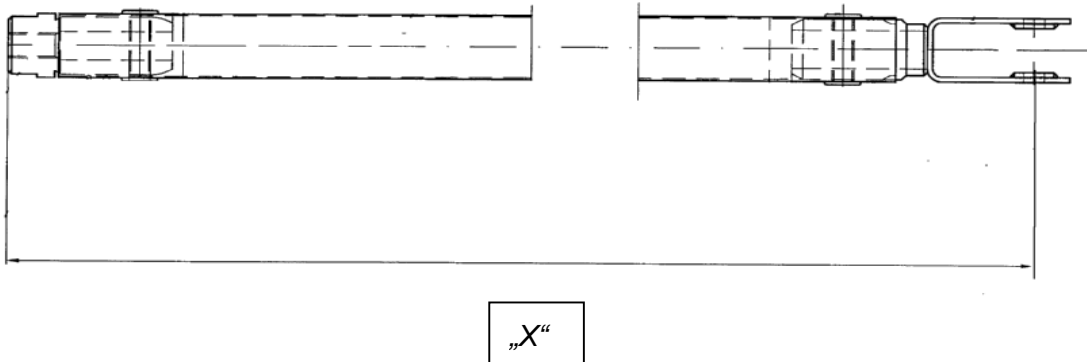
or	Weight increase :	+ 0,73 kg	Moment	+278 kgcm
	Weight increase:	+ 1,60 lbs	Moment:	+24,1 inlb

In case ballast is installed in the tail, after installation of the new rod 103A-4241/2 it can be reduced or removed if the new centre of gravity will allow so.

II. PLANNING INFORMATION

2.1 Material & Availability:

The new rod will be used for Serial-No. 3544 – 34078 with suffix “K” and can be ordered with part number 103A-4241/2 from GROB. Please advise required rod length “X” (see drawing) when ordering.



2.2 Special Tools:

N/A

2.3 Reference documents:

N/A

2.4 Credit:

N/A



III. REMARKS

- 3.1 The correct execution of the instructions may be performed by a qualified person and has to be certified in the logbook by an authorised inspector.
- 3.2 If you have sold your aircraft in the meantime, would you kindly pass this information on to the new owner and forward his address and aircraft S/N to us.
- 3.3 For questions and assistance please contact:

Rudi Vodermeier, Product Support,
Tel.: +49 (08268) 998 105
Fax: +49 (08268) 998 200
e-mail: r.vodermeier@grob-aerospace.de